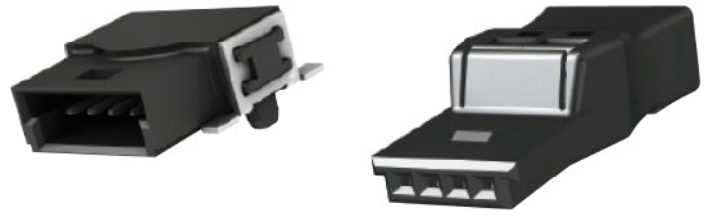


PCB connectors with IDC termination
for SMT reflow soldering
pitch 1.27 mm

Identification	No. of contacts	Part No.	Packaging unit
PCB connectors with IDC termination			
Female	4	14 31 041 0301 000	
Male	4	14 11 041 0002 000	

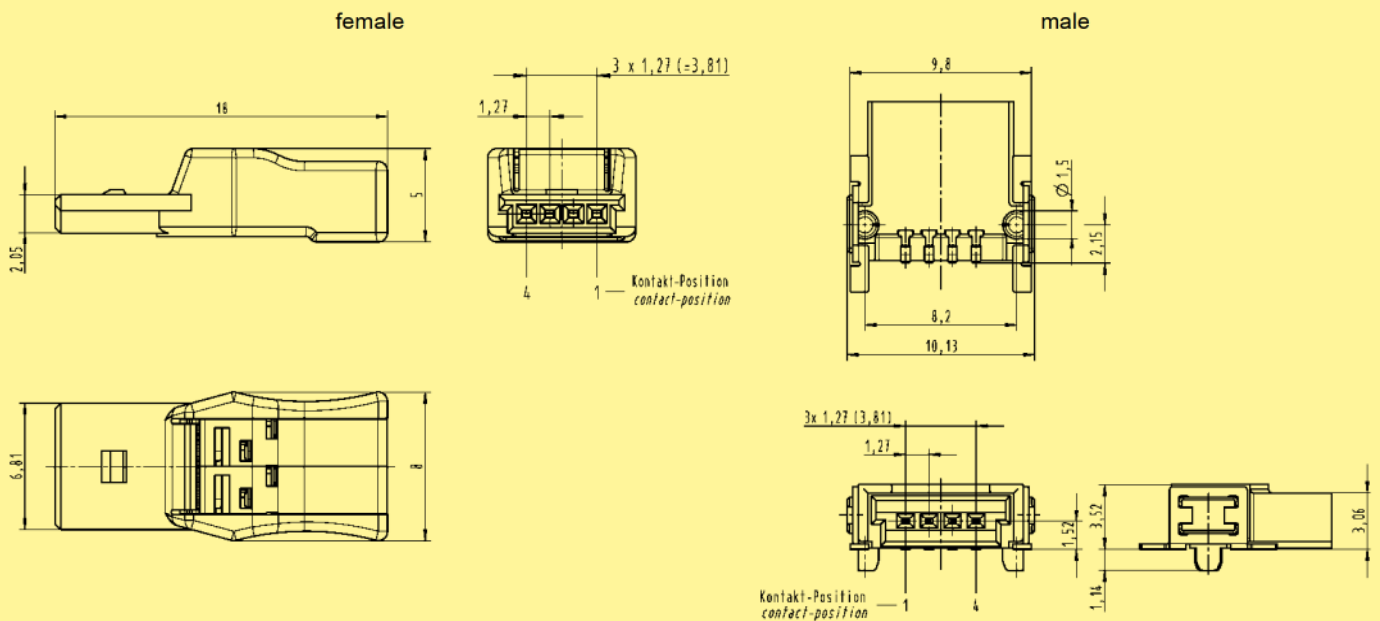


PCB connectors with IDC termination
for SMT reflow soldering
pitch 1.27 mm

Drawing

Dimensions in mm

Dimensions



Technical characteristics

Technical data

Rated current 2 A
Pitch 1.27 mm

Surge voltage category / pollution degree	III/3	III/2	II/2
Rated voltage	-	-	16 V
Rated surge voltage	-	-	0.5 kV

Conductor data

Connection technology wire IDC termination
Conductor size solid / stranded - / 0.05 - 0.14 mm²
Conductor size AWG 28 - 26
Stripping length 0 mm

Material data

Group of insulation material III a
Type of insulation material LCP
Flammability rating per UL 94 V0
Operating temperature -40 °C ... +125 °C
Contact material Copper alloy
Contact plating Nickel plated