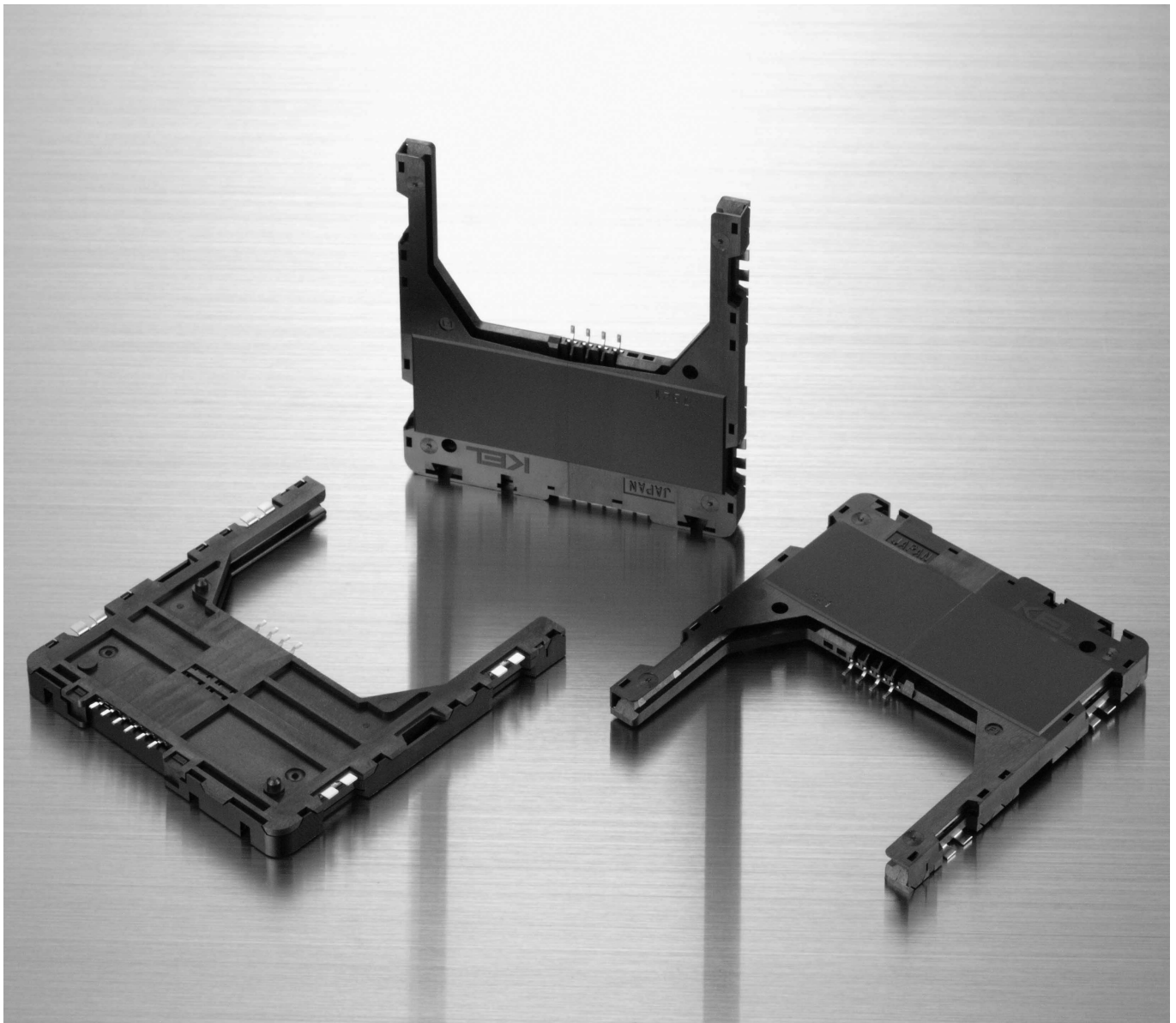


ISO IC Card (Smart Card) Connectors Landing Contact Type

ISC3 SERIES




FEATURES

- Simple structure
(Composed of fewer parts than other manufactures)
- Original "Seesaw" contact design
- Ultra low profile with 5.3mm (0.209") height
- With card detection switch
- High durability for IC card insertion/withdrawal
- (200,000 times min. guaranty)
- SMT terminals
- With positioning posts and retention clips
- RoHS compliance

SPECIFICATIONS

- Insulator material : Base ; Glass-filled LCP (UL94V-0), Black
Cover ; Glass-filled PPS (UL94V-0), Black
- Contact material : Copper alloy
- Contact plating :
Contact area ; 0.38 μ m min. Gold over Nickel
Terminal area ; 0.03 μ m min. Gold over Nickel
- Detection switch : Copper alloy
- Switch plating :
Contact area ; 0.38 μ m min. Gold over Nickel
Terminal area ; 0.03 μ m min. Gold over Nickel
- Retention clip : Copper alloy
- Clip plating : 0.03 μ m min. Gold over Nickel
- Current rating :
Contact ; 1A per contact
Detection switch ; 1mA to 50mA (20V max.)
- Contact resistance : Contact ; 40m Ω max.
Detection switch ; 100m Ω max.
- Dielectric withstanding voltage : 1,000V AC for 1 minute
- Insulation resistance : 1,000M Ω min.at 500V DC
- Operating temperature : -55°C to +105°C

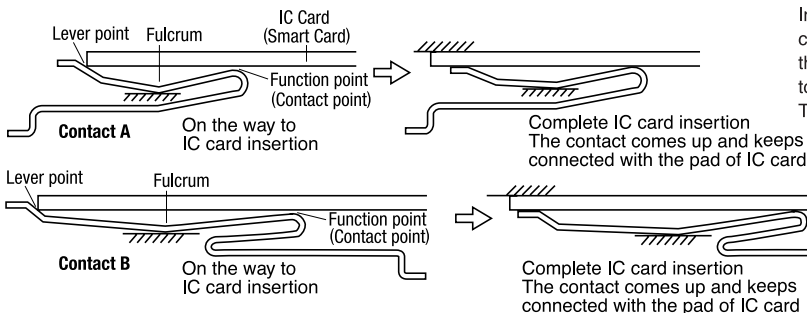
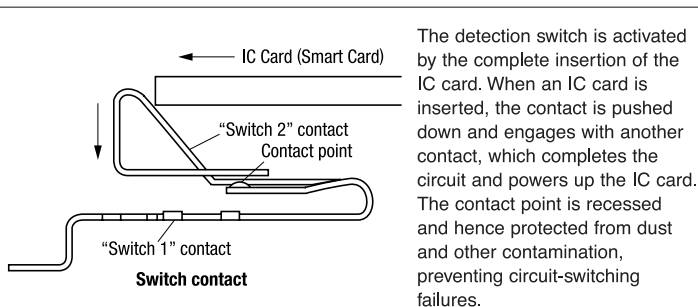
ORDER CODE
ISC3-08 - F

● F : RoHS Compliance

 ● Guide type
L : Long

 ● Number of contacts
08 : 8 pin

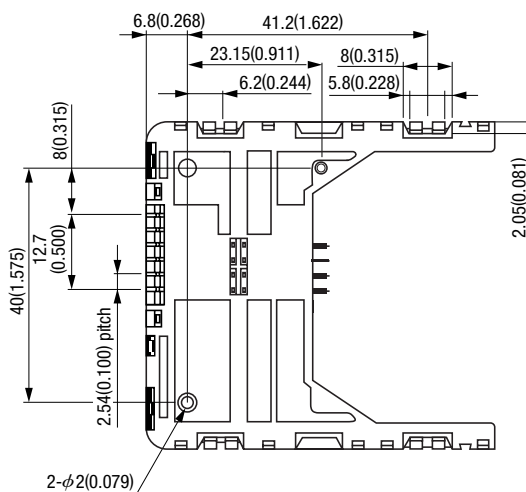
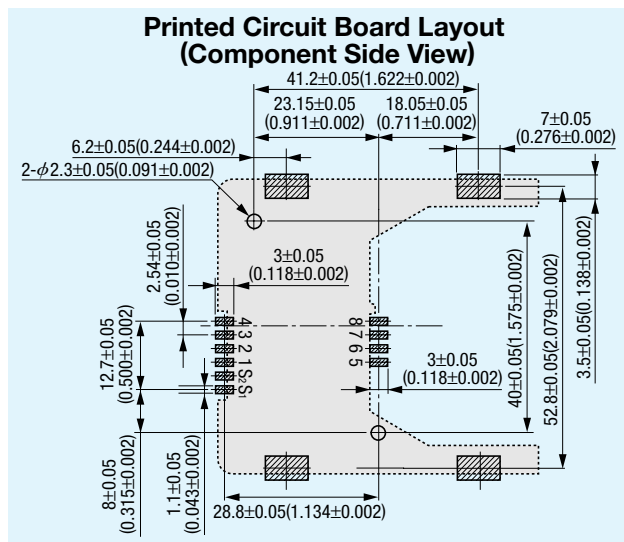
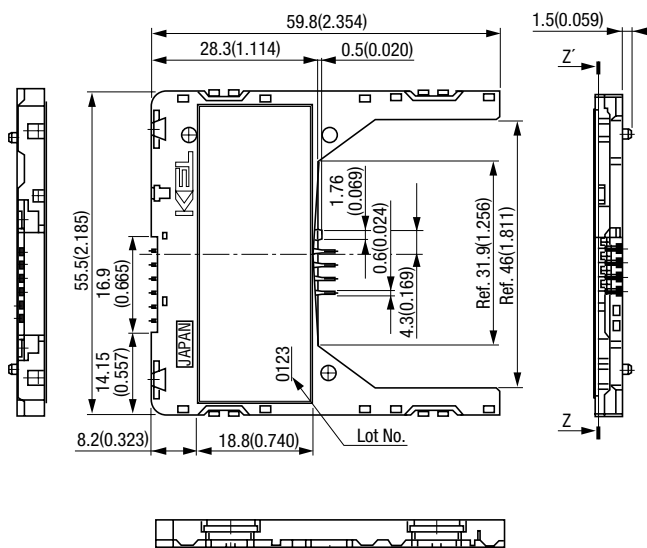
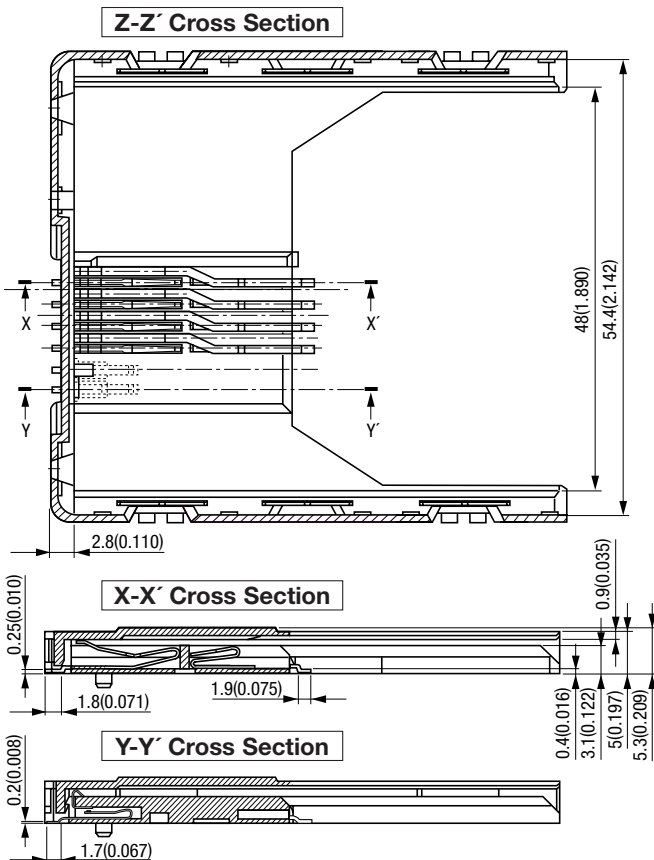
 ● Series name
ISC3 : Landing contact type for ISO IC card
(Smart card) connector
(Conforms to ISO/IEC 7816 standards)

"SEESAW" CONTACT CONCEPT

APPLICATIONS

- Electronic toll collection (ETC), Vending machines, Ticket machines, POS terminals, TV set top boxes, Network computers, Automatic teller machines (ATM), Medical ID systems, Electronic wallet card reader, ID/Access control, etc.

ISC3-08L-F (Long Guide Type)

Unit:mm(inch)



Product Table		
No. of contacts	Part Number	Number of packaging
8	ISC3-08L-F	9

Packaging style
Tray

Specifications and dimensions are subject to change without notice.