

Han® PushPull, type acc. to IEC 61 076-3-118  
Panel feed-through, 5-poles, 690 V, 16 A

**Features**

- HARTING PushPull technology
- Compact, space-saving design
- Touch-proof
- Panel feed-through: male
  - crimp termination
  - Han-Quick Lock® termination technology
- 4 times coding without contact loss
- NEW: Larger termination cross section for conductors 0.25 - 1.5 mm<sup>2</sup>

**Technical characteristics**

Locking	PushPull technology acc. to IEC 61 076-3-117 variant 14 acc. to IEC 61 076-3-118
Mating face	acc. to IEC 61 076-3-118
Degree of protection	IP65 / IP67
Number of contacts	4 + PE
Electrical data	
acc. to DIN EN 61 984	16 A 690 V 4 kV 3
Termination cross section	0.25 – 2.5 mm <sup>2</sup>
Mating cycles	min. 500
Temperature range	-40 °C ... +70 °C
Housing material	Plastic, black
Flammability acc. to UL 94	V0

Identification	Part No.	Drawing	Dimensions in mm
----------------	----------	---------	------------------

**Han® PushPull Power 4/0 Panel feed-through M25**

5-poles, 690 V / 16 A  
incl. bulkhead housing and male insert, circular panel cut out

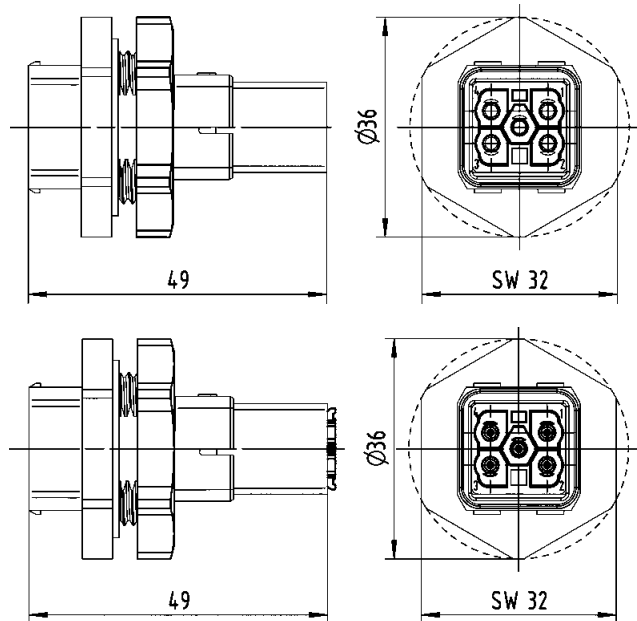
with crimp termination  
(Order crimp male contacts separately)

with Han-Quick Lock® termination

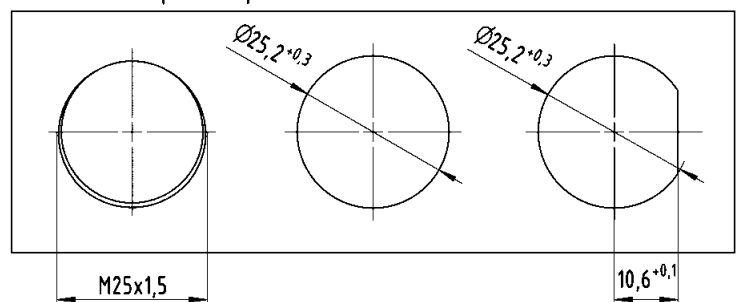
0.5 ... 2.5 mm<sup>2</sup>  
0.25 ... 1.5 mm<sup>2</sup>

09 35 231 0332

09 35 232 0332  
09 35 234 0332



possible panel cut outs - thickness max. 3 mm



**Coding element**

10 pieces each for device and cable side  
enables 4 times coding without contact loss

09 35 000 6190