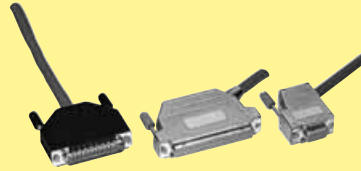


D-Sub – Housing range for subminiature D connectors

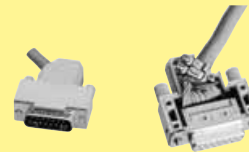
Page

General information – hoods for screw locking **07.02**

Thermoplastic top and side entry hoods
with knurled screws **07.04**



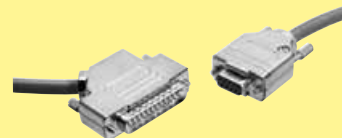
Thermoplastic side entry hoods
with knurled screws **07.05**



Thermoplastic top entry hoods
with knurled or locking screws **07.06**



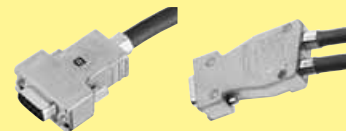
Full metal top and side entry hoods
with knurled screws **07.07**



Full metal top and side entry hoods with short screws ... **07.08**

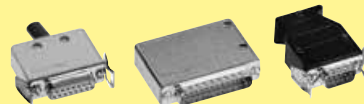


Full metal top and side entry hoods
with different screw options **07.09**

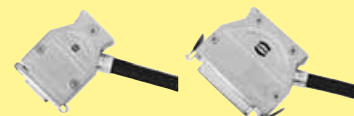


General information – hoods for spring or slide locking **07.10**

Thermoplastic top and side entry hoods
for spring or slide locking **07.11**



Full metal top and side entry hoods
for spring or slide locking **07.13**



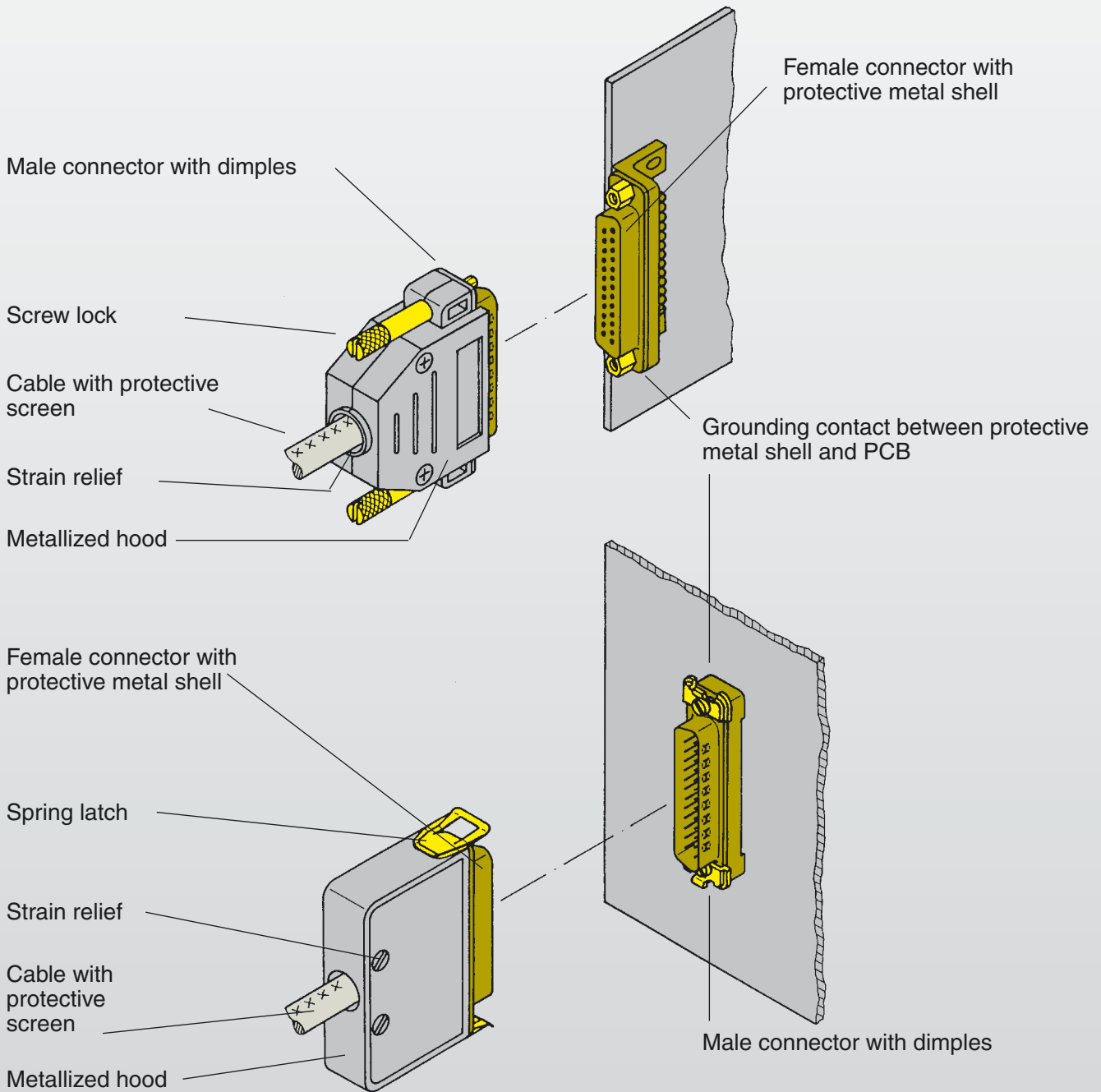
HARTING – Guarantee a secure connection

Modern electronic applications demand a high degree of mechanical and electrical security. To meet these requirements, continuous screening from the cable to the PCB via the connector is achieved by using state of the art components to DIN 41 652.

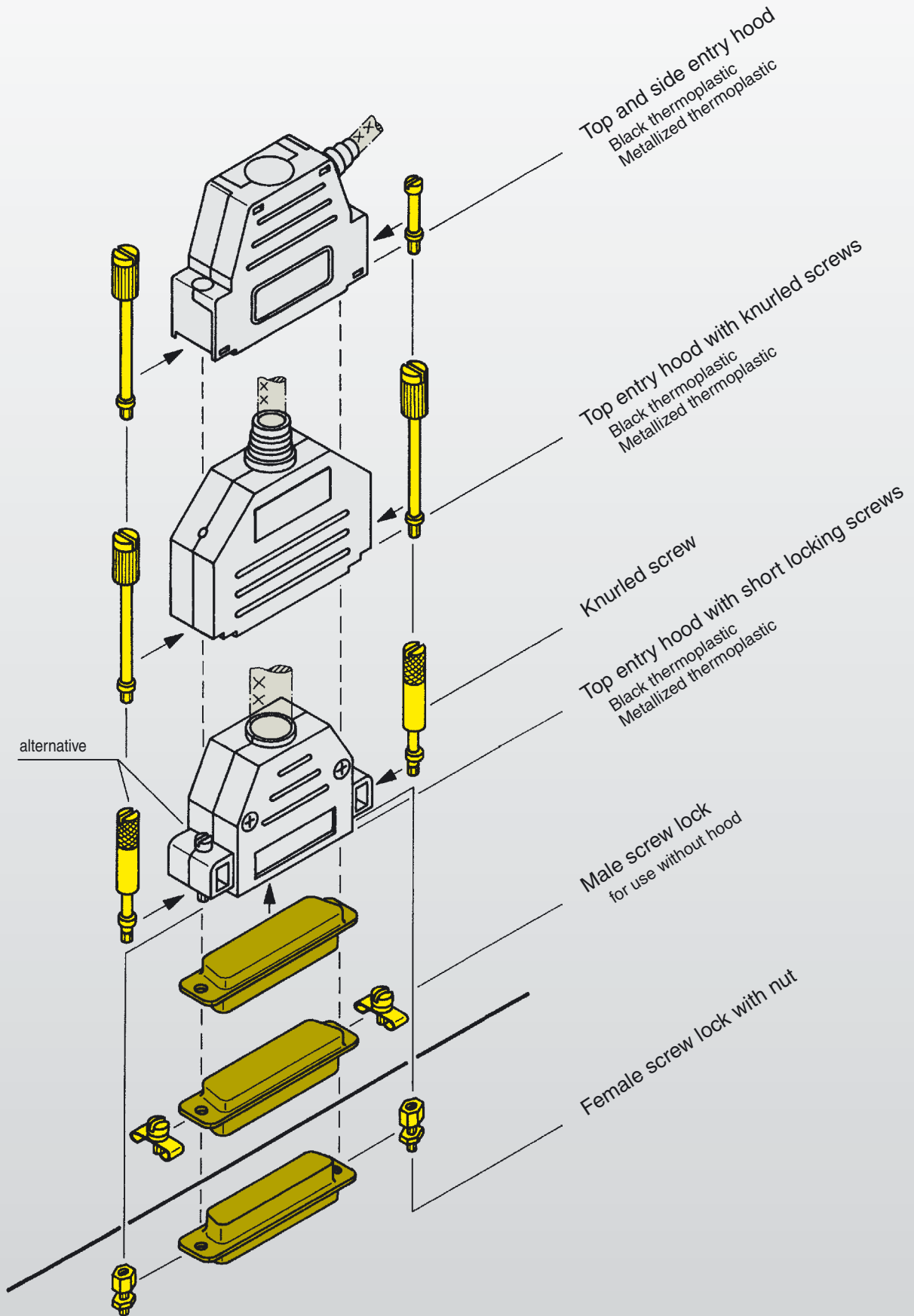
HARTING offer many solutions. These utilize various combinations of male and female connectors with hoods, featuring either screw locking or latching facilities.

Only 2 examples are shown:

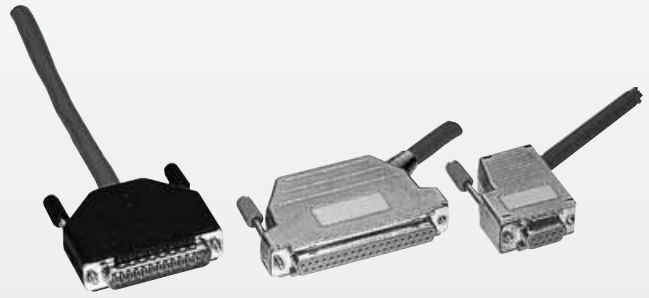
- Continuous security screening and grounding with screw locking and metallized hood.
- Continuous grounding and vibration proof latching system with metallized hood.



Connector hoods for screw locking



D-Sub - H

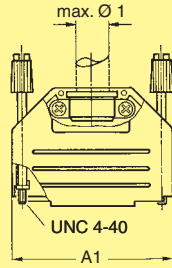


Top and side entry hoods with knurled screws

Identification No. of contacts Part No. Drawing Dimensions in mm

Top entry hood
Black thermoplastic

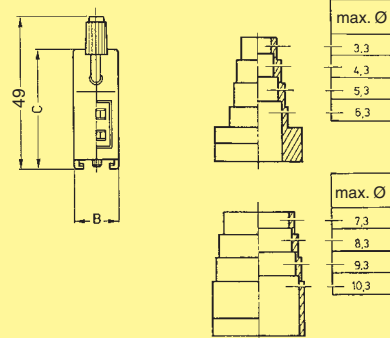
9	09 67 009 0424
15	09 67 015 0424
25	09 67 025 0424
37	09 67 037 0424
50	09 67 050 0424



	A1	A2	B	C1	C2	max. Ø 1	max. Ø 2
9	31.5	32.5	15	34	38	8.0	11.5
15	40.0	41.0	15	34	38	11.5	11.5
25	53.5	54.5	15	40	40	11.5	11.5
37	71.0	71.0	15	40	40	11.5	11.5
50	67.5		19	40		14.0	

C1: non-metallized

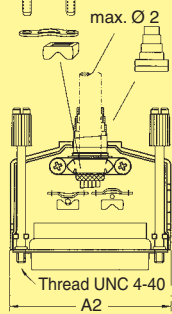
C2: metallized



Cut appropriate cable entry to fit actual cable diameter

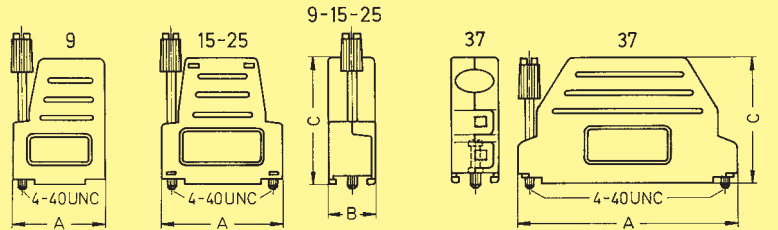
Top entry hood
Metallized thermoplastic

9	09 67 009 0425
15	09 67 015 0425
25	09 67 025 0425
37	09 67 037 0425



Top and side entry hood
Black thermoplastic

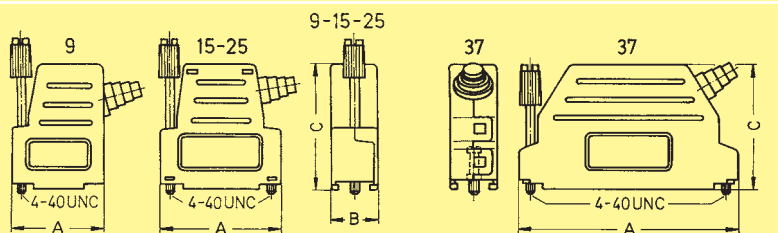
9	09 67 009 0434
15	09 67 015 0434
25	09 67 025 0434
37	09 67 037 0434 ¹⁾



	A	B	C
9	31.5	15	40.0
15	40.0	15	40.0
25	53.5	15	43.0
37	71.3	15	42.5

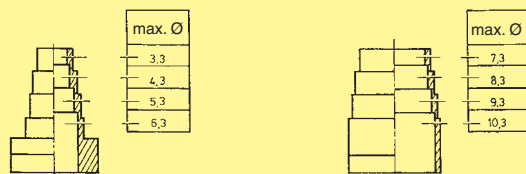
Top and side entry hood
Metallized thermoplastic

9	09 67 009 0435
15	09 67 015 0435 ²⁾
25	09 67 025 0435 ²⁾
37	09 67 037 0435 ¹⁾



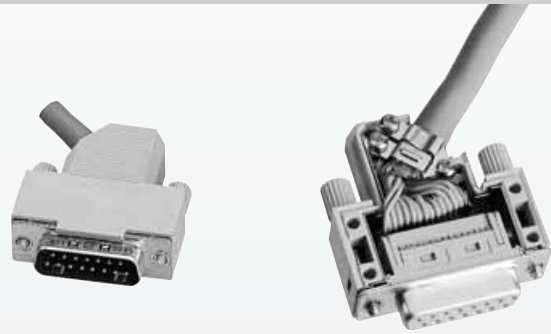
Grommet
for top and side entry
black thermoplastic
hood

09 67 001 9968



¹⁾ 37 ways is only side entry

²⁾ Cable clamp kit for two outputs is available with part no. 09 67 001 9988 (it includes: screw, metal clamp, plastic insert and grommet)

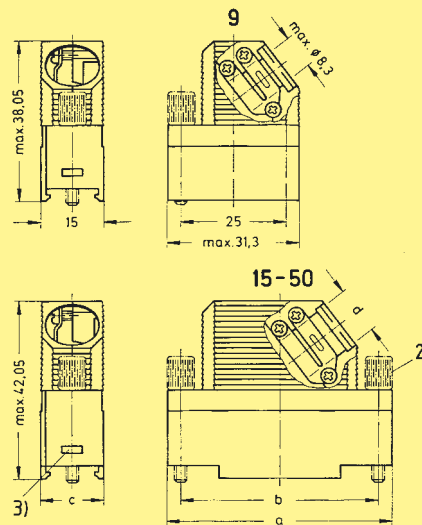


Side entry hoods with knurled screws

Identification No. of contacts Part No. Drawing Dimensions in mm

Hood¹⁾
 grey thermoplastic
 RAL 7032

9 09 67 009 0571
 15 09 67 015 0571
 25 09 67 025 0571
 37 09 67 037 0571
 50 09 67 050 0571



grey thermoplastic
 with internal
 tin-plate screening

9 09 67 009 0573
 15 09 67 015 0573
 25 09 67 025 0573
 37 09 67 037 0573
 50 09 67 050 0573

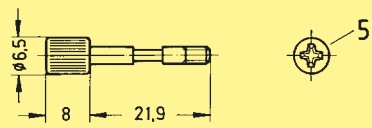
9-37 way
 for packaging density
 of 3 TE (15.24 mm)

	a max.	b	c	d max.
15	39.62	33.3	15	Ø 9.1
25	53.52	47.0	15	Ø 11.5
37	69.80	63.5	15	Ø 12.8
50	67.41	61.1	19	Ø 14.5

Knurled screw

Thread UNC
 Thread M3

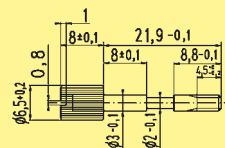
9-50 09 67 000 9971⁴⁾
 09 67 001 9965*



Grey head / Tinned metal part

Thread UNC
 Thread M3

9-50 09 67 001 9978
 09 67 001 9977



Full metal part

Tooling⁶⁾
 for assembly
 of hoods

Top part 09 99 000 0215*
 Bottom part 09 99 000 0216*



* Not normally kept in stock

¹⁾ Order knurled screw separately

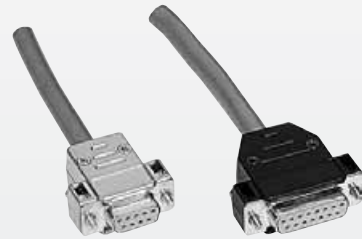
²⁾ Before assembling the hood, the knurled screws must be inserted into the lower hood part.

³⁾ For retained nut when using slide lock or female screw lock

⁴⁾ 9 way 1 per hood – 15-50 way 2 per hood

⁵⁾ Screw driver type ISO PH 1 for philips screw No 1 ISO norm 4757

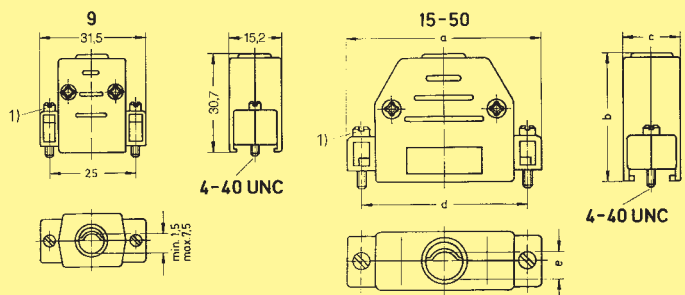
⁶⁾ Additional tooling (bench press) see chapter 32



Top entry hoods with knurled or locking screws

Identification No. of contacts Part No. Drawing Dimensions in mm

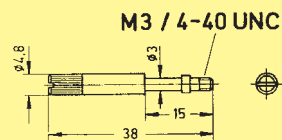
Hood Black thermoplastic with short locking screws	9	09 67 009 0442
	15	09 67 015 0442
	25	09 67 025 0442
	37	09 67 037 0442
	50	09 67 050 0442



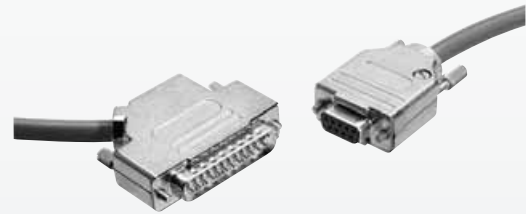
Hood Metallized thermoplastic with short locking screws	9	09 67 009 0443
	15	09 67 015 0443
	25	09 67 025 0443
	37	09 67 037 0443
	50	09 67 050 0443

	a	b	c	d	e	
					min.	max.
15	40.0	34.7	15.2	33.3	3.3	8.5
25	53.2	39.7	15.2	47.0	3.5	11.0
37	70.0	39.7	15.2	63.5	3.5	11.0
50	67.5	39.7	18.2	61.1	9.3	12.0

Knurled screw for metallized hood Thread UNC Thread M3	9-50	09 67 000 9925 ²⁾
	9-50	09 67 000 9930 ²⁾



¹⁾ Use of knurled screws is possible. Please order separately
²⁾ Order 2 for each hood

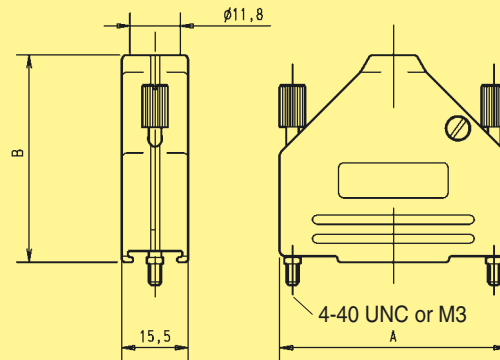


Full metal top and side entry hoods with knurled screws

Identification No. of contacts Part No. Drawing Dimensions in mm

Top entry hood

9	09 67 009 034 .
15	09 67 015 034 .
25	09 67 025 034 .
37	09 67 037 034 .

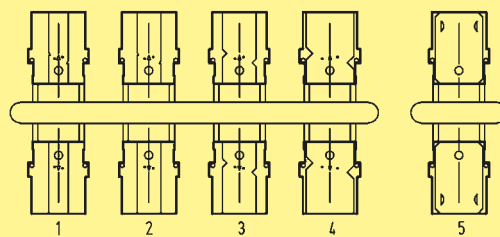


Poles	A	B
9	31.2	39.9
15	39.5	41.5
25	53.4	48.6
37	69.7	53.6

Please insert digit for screw option

- Knurled screw, thread 4-40 UNC ▶ 3
- Knurled screw, thread M3 ▶ 8

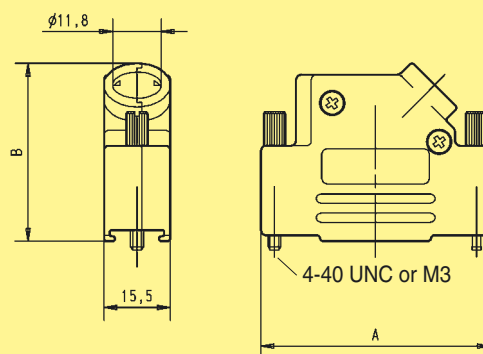
Grommet set halves



Grommet dimensions	
Number	Diameter
1	4.0
2	5.0
3	7.0
4	10.0
5	10.2

Side entry hood

9 ¹⁾	09 67 009 033 .
15	09 67 015 033 .
25	09 67 025 033 .
37	09 67 037 033 .

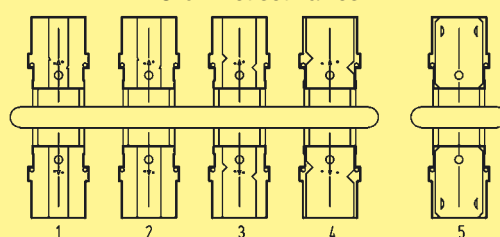


Poles	A	B
9	31.0	38.0
15	40.5	41.1
25	53.7	41.8
37	69.8	41.8

Please insert digit for screw option

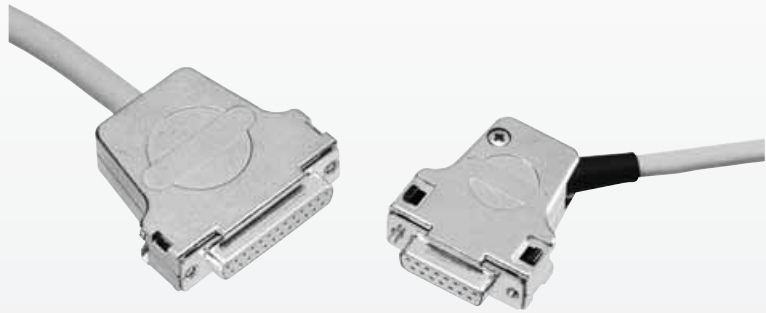
- Knurled screw, thread 4-40 UNC ▶ 3
- Knurled screw, thread M3 ▶ 6

Grommet set halves



Grommet dimensions	
Number	Diameter
1	4.0
2	5.0
3	7.0
4	10.0
5	10.2

¹⁾ 9 pole hood provided with only one screw on the opposite side of the cable entry.

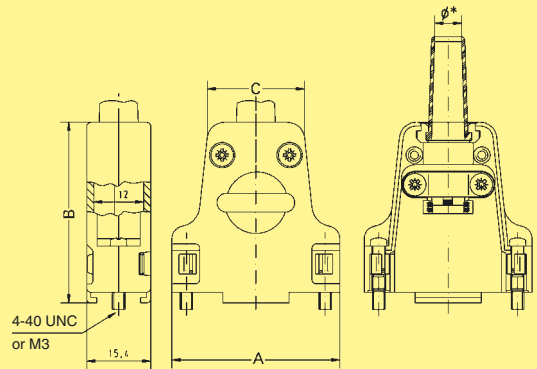


Full metal top and side entry hoods with short screws

Identification No. of contacts Part No. Drawing Dimensions in mm

Top entry hood

9	09 67 009 034
15	09 67 015 034
25	09 67 025 034
37	09 67 037 034



Please insert digit for screw option

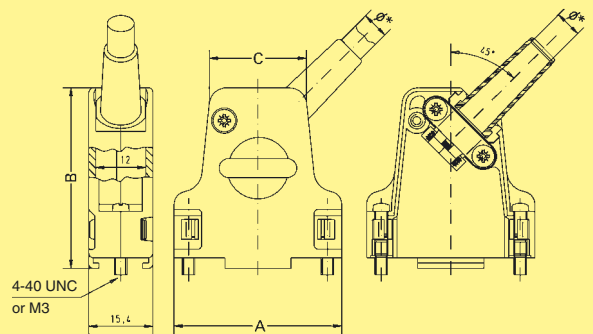
- Knurled screw, thread 4-40 UNC ▶ 4
- Knurled screw, thread M3 ▶ 9

Poles	A	B	C	Ø F1		Ø F2	Ø F3
				Min.	Max.		
9	31.8	42.4	20.8	3.0	9.5	6.5	—
15	40.3	43.5	23.3	3.0	8.5	6.5	12.5
25	54.0	47.7	31.7	3.0	8.5	8.0	12.5
37	70.2	50.4	48.2	3.0	12.0	9.0	15.0

* Cable diameter without rubber bushing = Ø F1
 Cable diameter with rubber bushing = Ø F2
 Cable diameter without rubber bushing and without cable reduction plate = Ø F3

Side entry hood

9	09 67 009 033
15	09 67 015 033
25	09 67 025 033
37	09 67 037 033



Please insert digit for screw option

- Knurled screw, thread 4-40 UNC ▶ 4
- Knurled screw, thread M3 ▶ 5

Poles	A	B	C	Ø F1		Ø F2	Ø F3
				Min.	Max.		
9	31.8	42.4	20.8	3.0	9.5	6.5	—
15	40.3	43.5	23.3	3.0	8.5	6.5	12.5
25	54.0	47.7	31.7	3.0	8.5	8.0	12.5
37	70.2	50.4	48.2	3.0	12.0	9.0	15.0

* Cable diameter without rubber bushing = Ø F1
 Cable diameter with rubber bushing = Ø F2
 Cable diameter without rubber bushing and without cable reduction plate = Ø F3

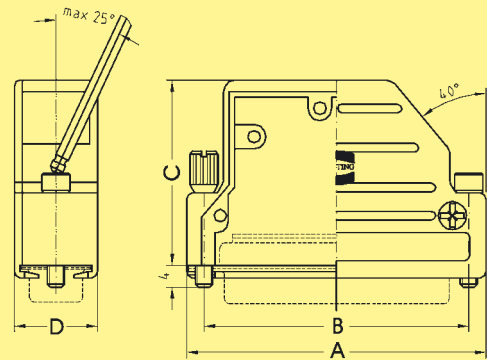


Full metal top and side entry hoods with different screw options

Identification No. of contacts Part No. Drawing Dimensions in mm

40° side entry hood

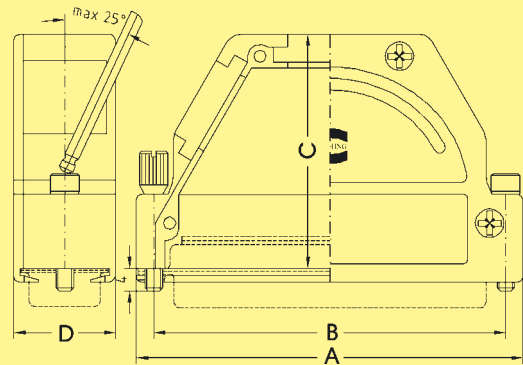
9	61 03 001 . 013
15	61 03 001 . 014
25	61 03 001 . 015



No. of contacts	A	B	C	D
9	31.0	25.0	35.0	15.0
15	39.3	33.3	35.0	15.0
25	53.0	47.0	35.0	15.0

Top/side entry hood

9	61 03 001 . 010
15	61 03 001 . 016
25	61 03 001 . 017 ¹⁾
37	61 03 001 . 018 ¹⁾
50	61 03 001 . 019 ¹⁾



No. of contacts	No. of cable entries	A	B	C	D
9	1 (top)	31.0	25.0	38.0	15.0
15	1 (top)	39.5	33.3	35.0	15.0
25	3	53.0	47.0	43.0	15.0
37	3	69.5	63.5	43.0	15.0
50	3	67.2	61.6	43.0	17.8

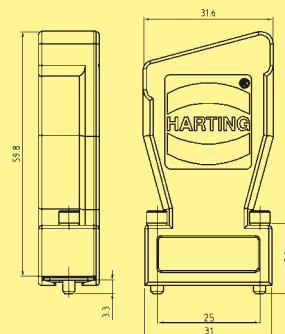
Please insert digit for screw option

- Knurled screw, thread 4-40 UNC ▶ 0
- Hexagonal screw, thread M3 with captive washer ▶ 1
- Hexagonal screw, thread 4-40 UNC with captive washer ▶ 2
- Knurled screw, thread M3 ▶ 3

InduCom 9 hood with straight entries

Hexagonal screw, thread 4-40 UNC 9 66 67 009 0346

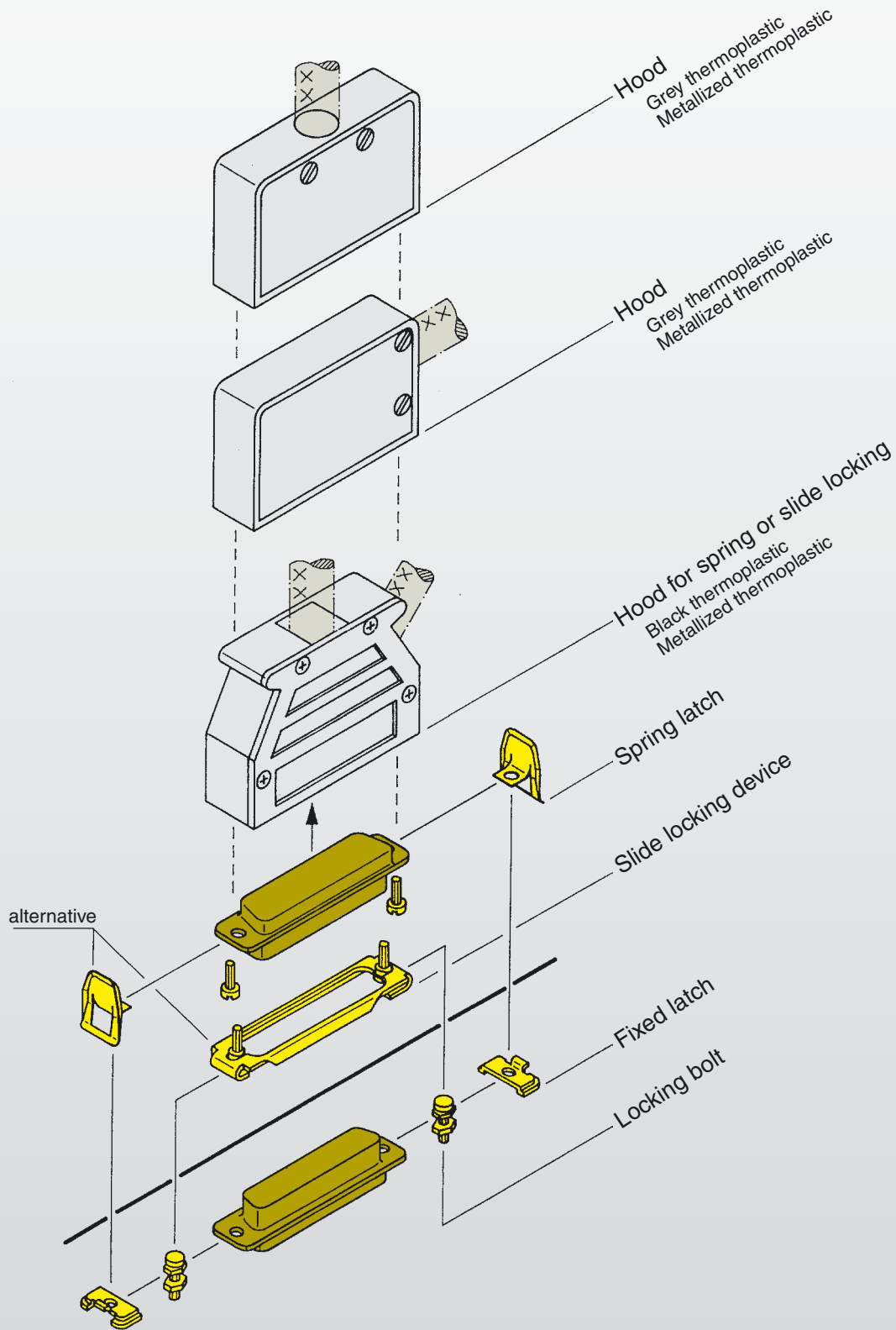
Hexagonal screw, thread M3 9 66 67 009 0347



2 cable entries

¹⁾ Part no. contains two blanking pieces

Connector hoods for spring or slide locking



D-Sub - H

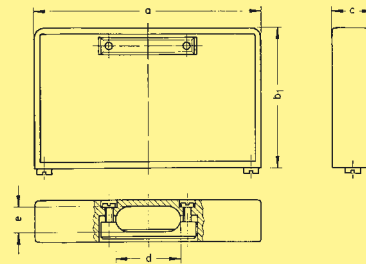


Thermoplastic top and side entry hoods for spring or slide locking and accessories

Identification No. of contacts Part No. Drawing Dimensions in mm

Top entry hood

No. of contacts	Thermoplastic grey	Thermoplastic metallized
9	09 67 009 0411	09 67 009 0413
15	09 67 015 0411	09 67 015 0413
25	09 67 025 0411	09 67 025 0413
37	09 67 037 0411	09 67 037 0413
50	09 67 050 0411	09 67 050 0413

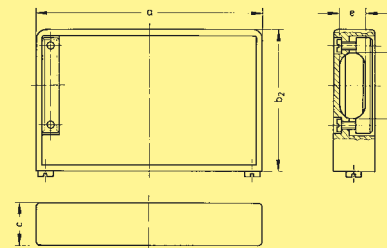


9-37 way for packaging density of 3 TE (15.24 mm)

	a	b ₁	b ₂	c	d	e	
						min.	max.
9	31.0	23	28	12.8	10	5.75	9.0
15	39.4	28	28	12.8	10	5.75	9.0
25	53.3	34	34	12.8	14	5.75	9.0
37	69.7	43	43	12.8	20	5.75	9.0
50	67.1	41	41	15.8	20	5.75	11.6

Side entry hood

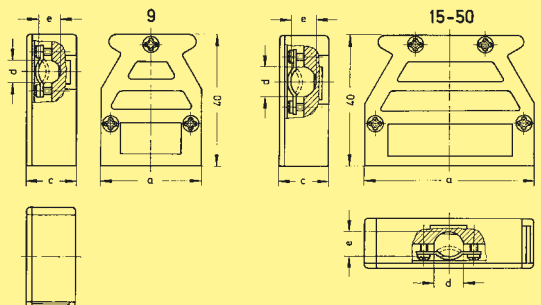
No. of contacts	Thermoplastic grey	Thermoplastic metallized
9	09 67 009 0511	09 67 009 0513
15	09 67 015 0511	09 67 015 0513
25	09 67 025 0511	09 67 025 0513
37	09 67 037 0511	09 67 037 0513
50	09 67 050 0511	09 67 050 0513



9-37 way for packaging density of 3 TE (15.24 mm)

Top and side entry hood¹⁾

No. of contacts	Thermoplastic black	Thermoplastic metallized
9	09 67 009 0452	09 67 009 0453
15	09 67 015 0452	09 67 015 0453
25	09 67 025 0452	09 67 025 0453
37	09 67 037 0452	09 67 037 0453
50	09 67 050 0452	09 67 050 0453

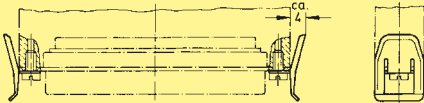
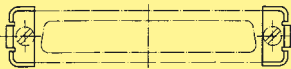
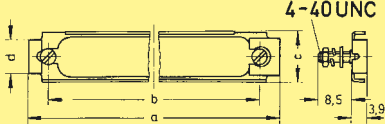



	a	c	d	e	
				min.	max.
9	31.0	15.4	7	1.7	7.5
15	39.4	15.4	7	1.7	8.0
25	53.2	15.4	9	1.5	8.0
37	69.5	15.4	9	1.5	8.0
50	67.0	17.9	9	1.5	8.0

¹⁾ 9 poles is only side entry
Accessories see page 07.12



Thermoplastic top
and side entry hoods
for spring or slide locking and accessories

Identification	No. of contacts	Part No.	Drawing	Dimensions in mm																														
Spring latch	9-50	corrosion resistant steel 09 67 000 9907 ¹⁾																																
Fixed latch	9-37 50	corrosion resistant steel 09 67 001 9971 ¹⁾ 09 67 001 9972 ¹⁾																																
Slide locking device	9 15 25 37 50	corrosion resistant steel 09 67 000 9914 09 67 000 9915 09 67 000 9916 09 67 000 9917 09 67 000 9918	 <table border="1" data-bbox="912 1512 1252 1691"> <thead> <tr> <th></th> <th>a</th> <th>b</th> <th>c</th> <th>d</th> </tr> </thead> <tbody> <tr> <td>9</td> <td>35.6</td> <td>25.0</td> <td>12.0</td> <td>10.0</td> </tr> <tr> <td>15</td> <td>44.0</td> <td>33.3</td> <td>12.0</td> <td>10.0</td> </tr> <tr> <td>25</td> <td>57.8</td> <td>47.0</td> <td>12.0</td> <td>10.0</td> </tr> <tr> <td>37</td> <td>74.3</td> <td>63.5</td> <td>12.0</td> <td>10.0</td> </tr> <tr> <td>50</td> <td>72.0</td> <td>61.1</td> <td>14.8</td> <td>13.5</td> </tr> </tbody> </table>		a	b	c	d	9	35.6	25.0	12.0	10.0	15	44.0	33.3	12.0	10.0	25	57.8	47.0	12.0	10.0	37	74.3	63.5	12.0	10.0	50	72.0	61.1	14.8	13.5	
	a	b	c	d																														
9	35.6	25.0	12.0	10.0																														
15	44.0	33.3	12.0	10.0																														
25	57.8	47.0	12.0	10.0																														
37	74.3	63.5	12.0	10.0																														
50	72.0	61.1	14.8	13.5																														
Locking bolt	9-50	tinned 09 67 001 9973 ¹⁾																																

D-Sub - H

¹⁾ Order 2 for each connector

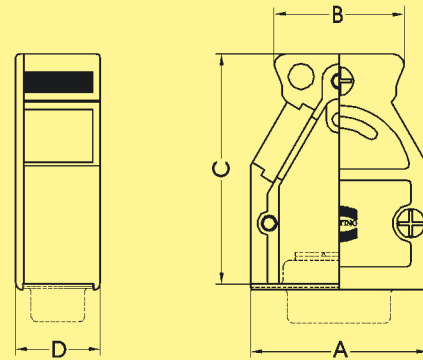


Full metal top and side entry hoods for spring or slide locking and accessories

Identification No. of contacts Part No. Drawing Dimensions in mm

Top/side entry hood with spring/slide locking

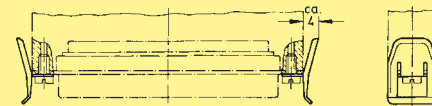
9	61 03 001 0022 ¹⁾
15	61 03 001 0011 ²⁾
25	61 03 001 0012 ²⁾
37	61 03 001 0021 ²⁾
50	61 03 001 0020 ²⁾



No. of contacts	No. of cable entries	A	B	C	D
9	2	31.0	22.6	40.0	14.8
15	3	39.0	30.6	40.0	14.8
25	3	53.0	42.6	40.0	14.8
37	3	69.5	59.2	40.0	14.8
50	3	67.0	55.0	40.0	17.6

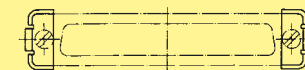
Spring latch
corrosion resistant steel

9-50	09 67 000 9907 ³⁾
------	------------------------------



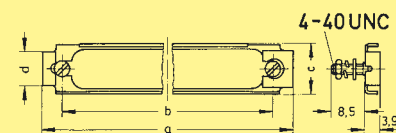
Fixed latch
corrosion resistant steel

9-37	09 67 001 9971 ³⁾
50	09 67 001 9972 ³⁾



Slide locking device
corrosion resistant steel

9	09 67 000 9914
15	09 67 000 9915
25	09 67 000 9916
37	09 67 000 9917
50	09 67 000 9918



	a	b	c	d
9	35.6	25.0	12.0	10.0
15	44.0	33.3	12.0	10.0
25	57.8	47.0	12.0	10.0
37	74.3	63.5	12.0	10.0
50	72.0	61.1	14.8	13.5

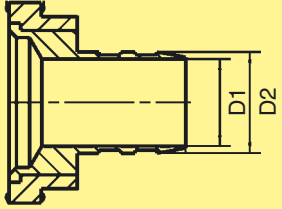
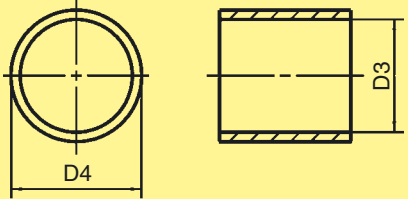
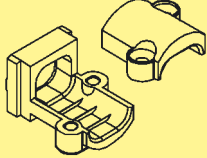
Locking bolt
tinned

9-50	09 67 001 9973 ³⁾
------	------------------------------



¹⁾ Part no. contains one blanking piece
²⁾ Part no. contains two blanking pieces
³⁾ Order two for each connector

Accessories for full metal hoods

Identification	Part No.		Drawing	Dimensions in mm																																								
Crimp flange	Hoods for 9-37 pole D-Sub	Hoods for 50 pole D-Sub	<table border="1"> <thead> <tr> <th>D1</th> <th>D2</th> </tr> </thead> <tbody> <tr><td>3.0</td><td>4.0</td></tr> <tr><td>3.5</td><td>4.5</td></tr> <tr><td>4.0</td><td>5.0</td></tr> <tr><td>4.5</td><td>5.5</td></tr> <tr><td>5.0</td><td>6.0</td></tr> <tr><td>5.5</td><td>6.5</td></tr> <tr><td>6.0</td><td>7.0</td></tr> <tr><td>6.5</td><td>7.5</td></tr> <tr><td>7.0</td><td>8.0</td></tr> <tr><td>7.5</td><td>8.5</td></tr> <tr><td>8.0</td><td>9.0</td></tr> <tr><td>8.5</td><td>9.5</td></tr> <tr><td>9.0</td><td>10.0</td></tr> </tbody> </table> 	D1	D2	3.0	4.0	3.5	4.5	4.0	5.0	4.5	5.5	5.0	6.0	5.5	6.5	6.0	7.0	6.5	7.5	7.0	8.0	7.5	8.5	8.0	9.0	8.5	9.5	9.0	10.0													
	D1	D2																																										
	3.0	4.0																																										
	3.5	4.5																																										
	4.0	5.0																																										
	4.5	5.5																																										
	5.0	6.0																																										
	5.5	6.5																																										
	6.0	7.0																																										
	6.5	7.5																																										
	7.0	8.0																																										
	7.5	8.5																																										
	8.0	9.0																																										
	8.5	9.5																																										
	9.0	10.0																																										
	61 03 000 0062	61 03 000 5062																																										
	61 03 000 0063	61 03 000 5063																																										
61 03 000 0064	61 03 000 5064																																											
61 03 000 0065	61 03 000 5065																																											
61 03 000 0066	61 03 000 5066																																											
61 03 000 0166	61 03 000 5166																																											
61 03 000 0067	61 03 000 5067																																											
61 03 000 0068	61 03 000 5068																																											
61 03 000 0069	61 03 000 5069																																											
61 03 000 0070	61 03 000 5070																																											
61 03 000 0071	61 03 000 5071																																											
61 03 000 0165	61 03 000 5165																																											
61 03 000 0072	61 03 000 5072																																											
Crimp ferrule	61 03 000 0045 61 03 000 0046 61 03 000 0047 61 03 000 0048 61 03 000 0049 61 03 000 0050 61 03 000 0051 61 03 000 0052 61 03 000 0053 61 03 000 0054 61 03 000 0055 61 03 000 0056 61 03 000 0057 61 03 000 0058 61 03 000 0142 61 03 000 0059 61 03 000 0127 61 03 000 0060 61 03 000 0061		<table border="1"> <thead> <tr> <th>D3</th> <th>D4</th> </tr> </thead> <tbody> <tr><td>5.0</td><td>6.0</td></tr> <tr><td>5.5</td><td>6.5</td></tr> <tr><td>6.0</td><td>7.0</td></tr> <tr><td>6.5</td><td>7.5</td></tr> <tr><td>7.0</td><td>8.0</td></tr> <tr><td>7.5</td><td>8.5</td></tr> <tr><td>8.0</td><td>9.0</td></tr> <tr><td>8.5</td><td>9.5</td></tr> <tr><td>9.0</td><td>10.0</td></tr> <tr><td>9.5</td><td>10.5</td></tr> <tr><td>10.0</td><td>11.0</td></tr> <tr><td>10.5</td><td>11.5</td></tr> <tr><td>11.0</td><td>12.0</td></tr> <tr><td>11.5</td><td>12.5</td></tr> <tr><td>12.0</td><td>13.0</td></tr> <tr><td>12.5</td><td>13.5</td></tr> <tr><td>13.0</td><td>14.0</td></tr> <tr><td>13.7</td><td>15.0</td></tr> <tr><td>14.0</td><td>15.0</td></tr> </tbody> </table> 	D3	D4	5.0	6.0	5.5	6.5	6.0	7.0	6.5	7.5	7.0	8.0	7.5	8.5	8.0	9.0	8.5	9.5	9.0	10.0	9.5	10.5	10.0	11.0	10.5	11.5	11.0	12.0	11.5	12.5	12.0	13.0	12.5	13.5	13.0	14.0	13.7	15.0	14.0	15.0	
				D3	D4																																							
				5.0	6.0																																							
				5.5	6.5																																							
				6.0	7.0																																							
				6.5	7.5																																							
				7.0	8.0																																							
				7.5	8.5																																							
				8.0	9.0																																							
				8.5	9.5																																							
				9.0	10.0																																							
				9.5	10.5																																							
				10.0	11.0																																							
				10.5	11.5																																							
				11.0	12.0																																							
				11.5	12.5																																							
				12.0	13.0																																							
				12.5	13.5																																							
				13.0	14.0																																							
				13.7	15.0																																							
				14.0	15.0																																							
Cable clamp	cable-Ø appr. 5- 7 mm	61 03 000 0141																																										
	cable-Ø appr. 7-10 mm	61 03 000 0044																																										
	cable-Ø appr. 10-12 mm	61 03 000 0143																																										
	cable-Ø appr. 11-14 mm	61 03 000 0145																																										
Blanking piece for hoods	61 03 000 0042	61 03 000 0041																																										
Hexagonal screw	thread 4-40 UNC x 17.5-8.8 with captive washer	09 67 002 9020																																										
	thread M3 x 17.5-8.8 with captive washer	09 67 002 9019																																										
Knurled screw	thread 4-40 UNC	09 67 002 9018																																										
	thread M3	09 67 002 9017																																										

D-Sub - H